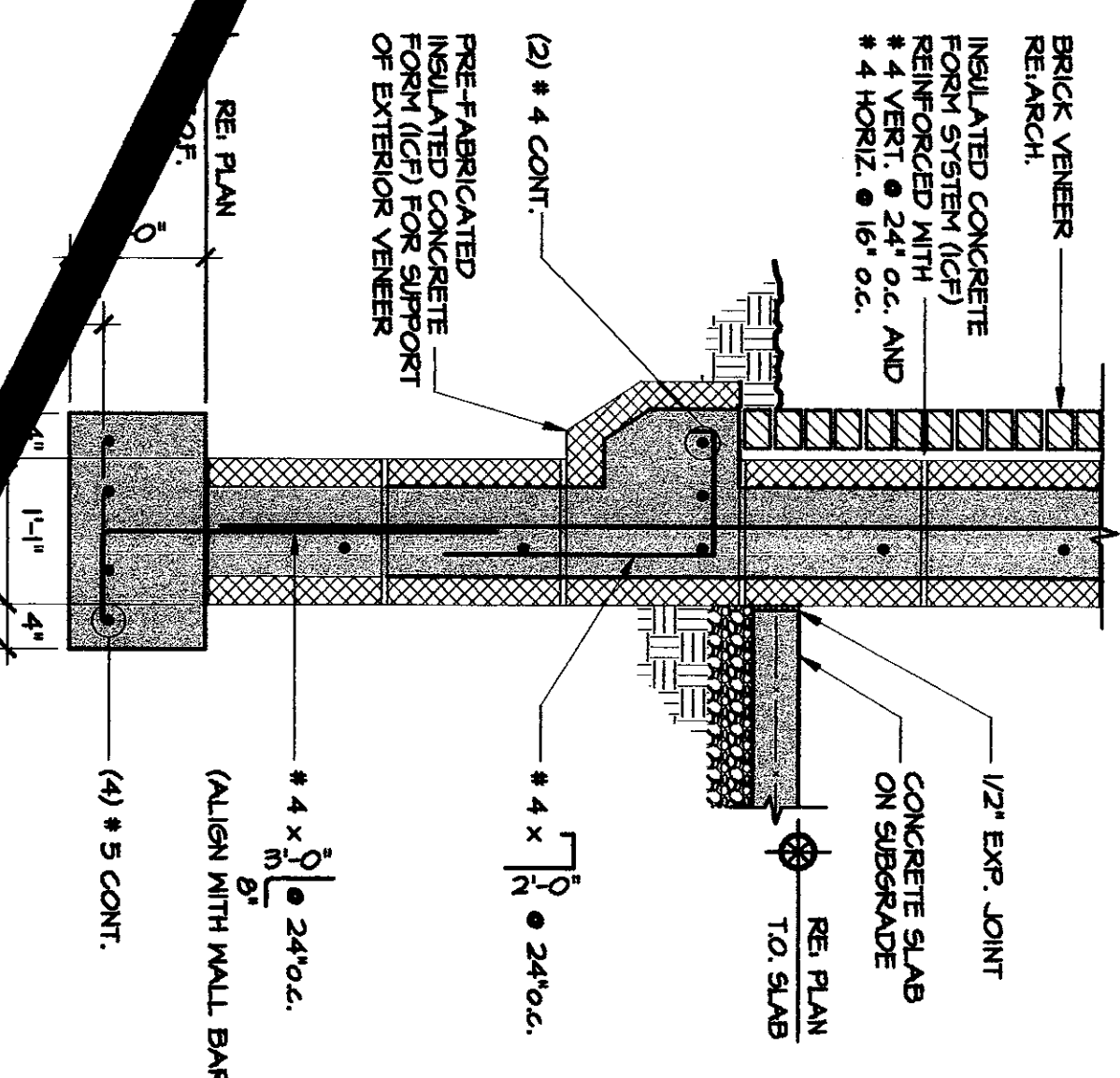
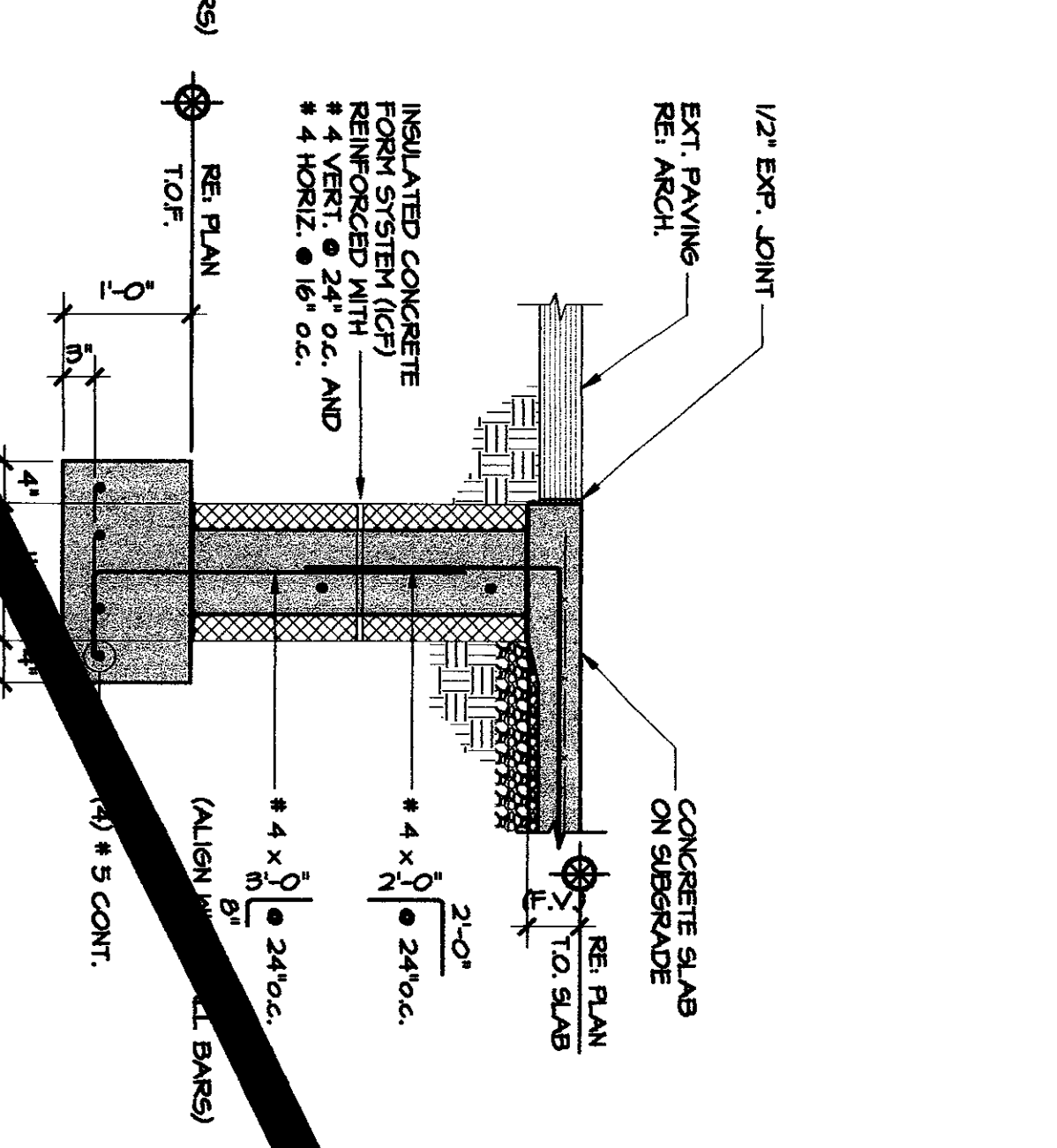


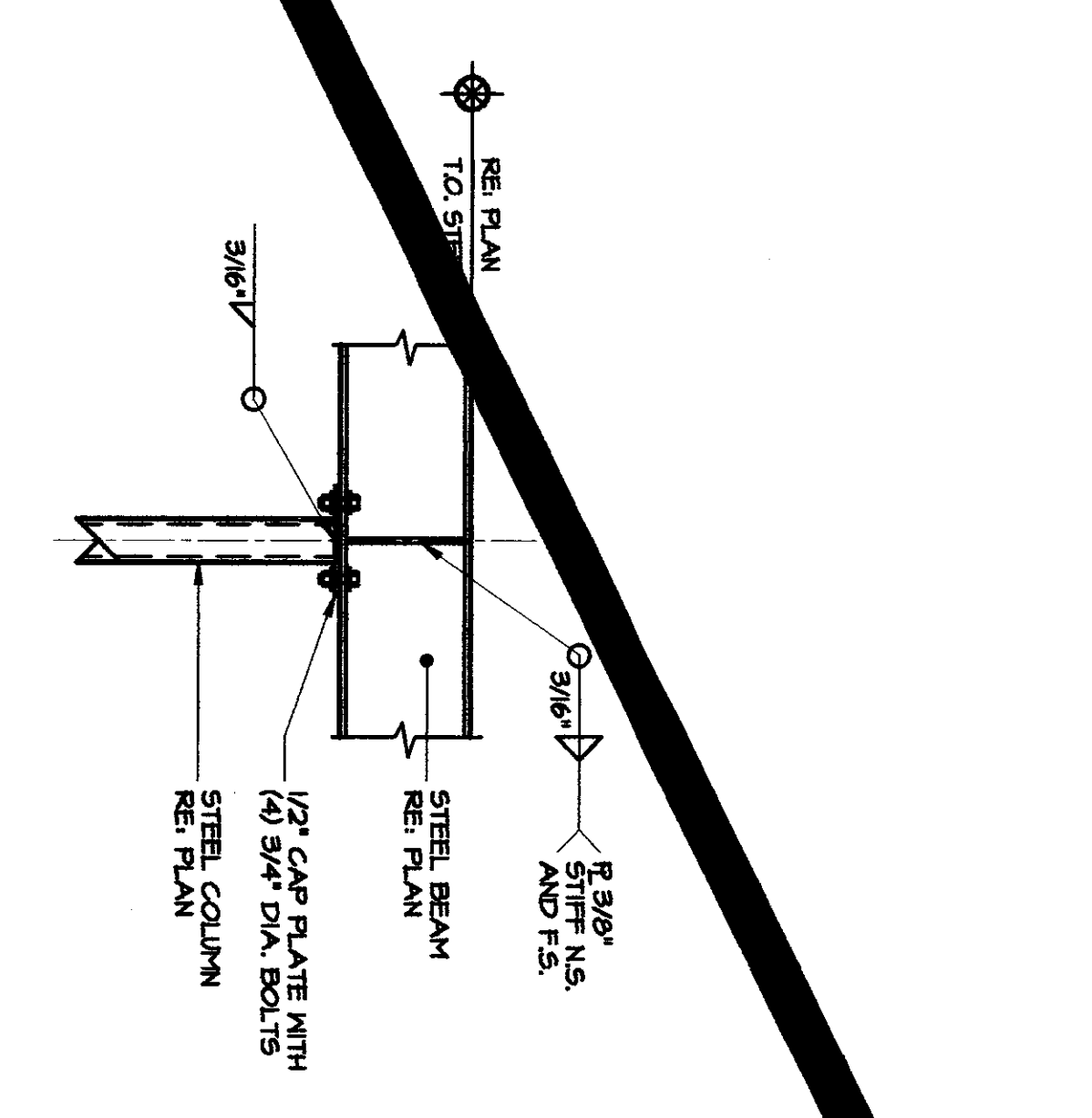
1 Foundation Detail
3/4"=1'-0"



2 Foundation Detail
3/4"=1'-0"



3 Foundation Detail
3/4"=1'-0"



4 Roof Framing Detail
3/4"=1'-0"

ALL WORK DELETED BY OWNER

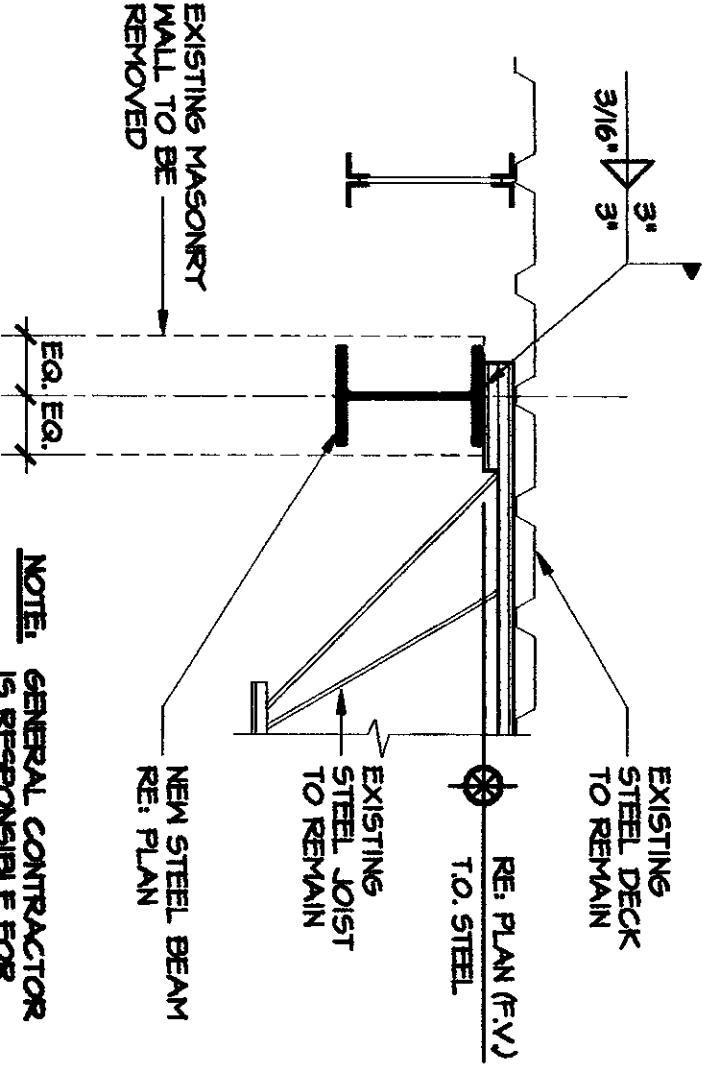
5 Roof Framing Detail
3/4"=1'-0"

6 Roof Framing Detail
3/4"=1'-0"

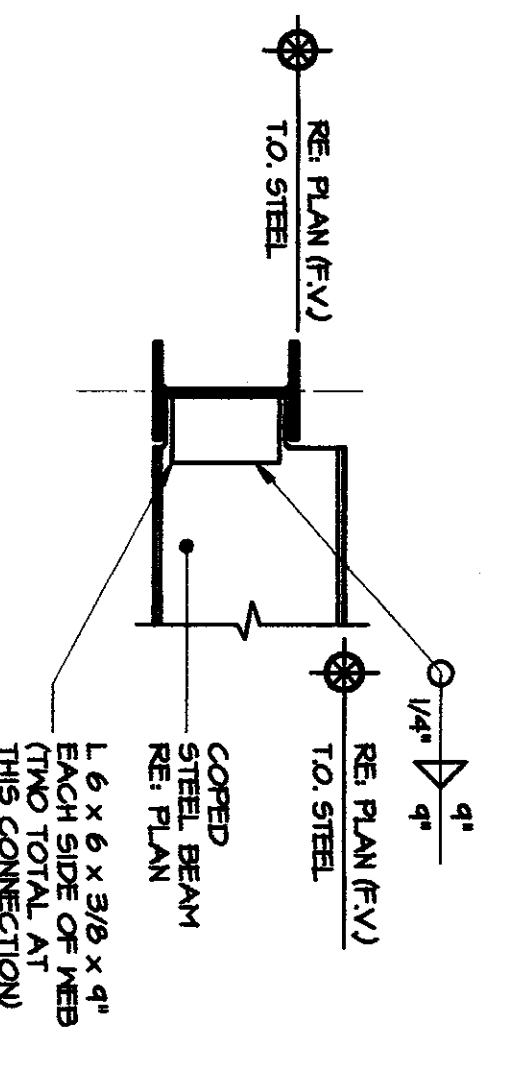
7 Roof Framing Detail
3/4"=1'-0"

8 Roof Framing Detail
3/4"=1'-0"

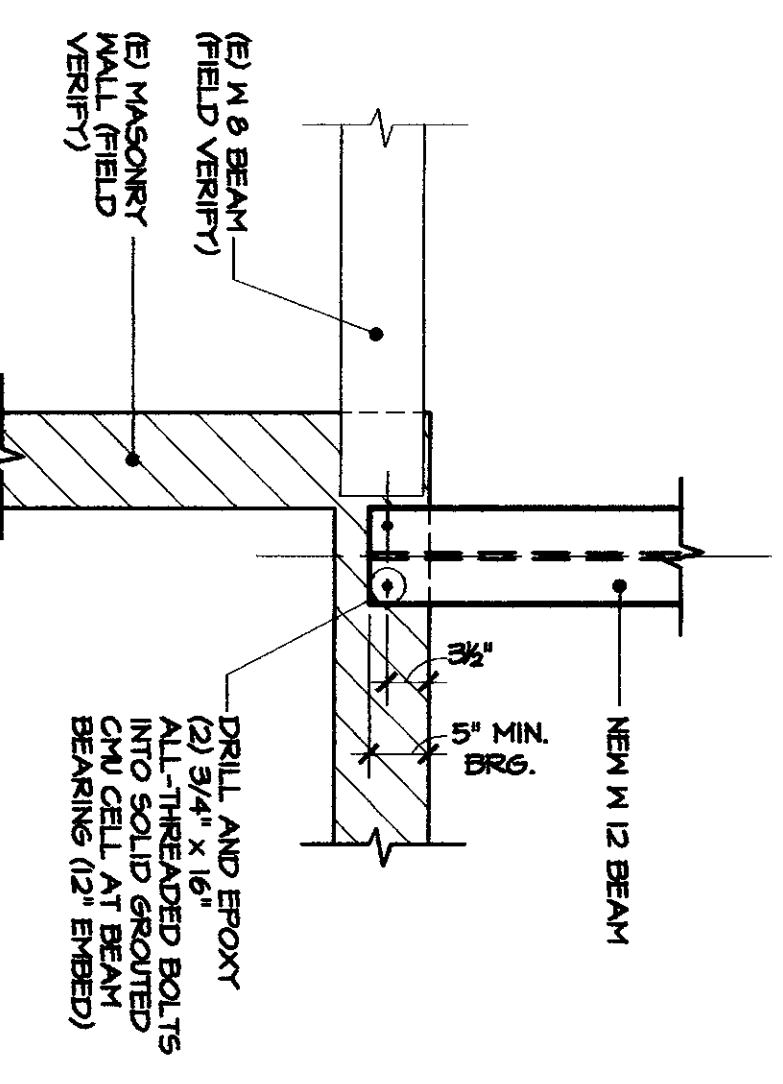
9 Canopy Roof Framing Detail
3/4"=1'-0"



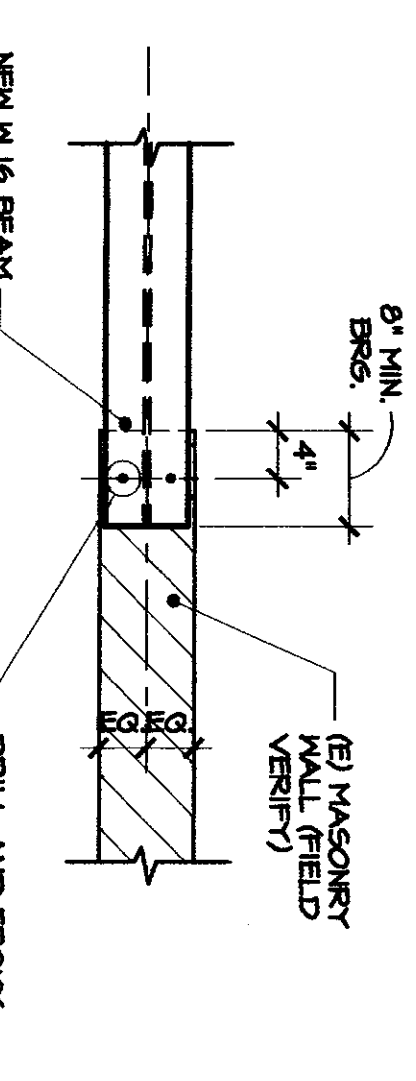
10 Roof Framing Detail
3/4"=1'-0"



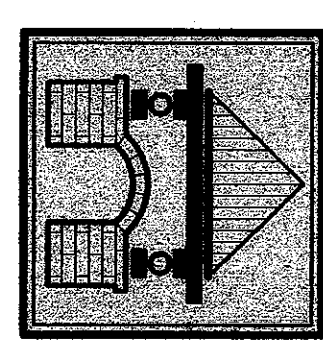
11 Roof Framing Detail
3/4"=1'-0"



12 Roof Framing Detail
3/4"=1'-0"



13 Roof Framing Detail
3/4"=1'-0"



MELINI & ASSOCIATES
ARCHITECTS, P.C.
5070 East Yale Avenue
Denver, CO 80222
Phone: 303-981-2846
Fax: 303-756-1889

CONSULTANTS
STRUCTURAL ENGINEER
Sundquist Design Group
12138 West Bevard Avenue
Suite 112
Lafayette, CO 80228
303-304-4885
303-304-4886
Contact: Joe Sundquist, P.E.

SUNDQUIST
Design Group
Structural Engineering
Sundquist Design Group
735 South
Lafayette, CO 80228
303-716-1270
303-716-1272 Fax
Contact: Jeff A. Given, P.E.

MECHANICAL ENGINEER
Given & Associates, Inc.
735 South
Lafayette, CO 80228
303-716-1270
303-716-1272 Fax
Contact: Jeff A. Given, P.E.

ELECTRICAL ENGINEER
Aber Engineering Inc
1069 Bradford Rd., #102
Littion, CO 80117
303-986-5260
303-986-5261 Fax
Contact: Clarence Brann

PROJECT TITLE

Classroom Addition &
Cafeteria Renovation
for
Cache La Poudre
Elementary School

Poudre School District

ISSUED

DD SET	04-06-06
45% CDS	05-01-06
100% CDS	05-09-06
AS-BUILT	06-09-07

TITLE
FOUNDATION DETAILS
AND FRAMING DETAILS

S-3
SHEET 5-3 OF 24